



The Terrace high density bike parking system is modular and configurable to fit virtually any space. Optimized for easy assembly, Terrace supplies the best stability and fastest installation of two-tier parking systems.

- High density, high capacity; single or double sided
- Modular design; Can be infinitely linked, or stand-alone
- Wheel and frame lockable; compatible with various locks including U-locks
- Versatile design can accommodate a wide range of bicycles
- Made in the USA

Terrace™

High Density Bike Parking System



Maintenance Free and Easy to Use

Dual slot trays with roll-in design; Integrated drainage provides durable rust-free storage

Keeps Bikes Safe and Secure

Multiple contact points and a 16" high support rail; Tamper resistant hardware

» SINGLE-SIDED:

BASE / STANDALONE MODULES

- 4 Bike, Qty: _____ 12 Bike, Qty: _____
 8 Bike, Qty: _____

EXTENSION MODULES

- 4 Bike, Qty: _____ 8 Bike, Qty: _____
 6 Bike, Qty: _____ 12 Bike, Qty: _____

» DOUBLE-SIDED:

BASE / STANDALONE MODULES

- 8 Bike, Qty: _____ 24 Bike, Qty: _____
 16 Bike, Qty: _____

EXTENSION MODULES

- 8 Bike, Qty: _____ 16 Bike, Qty: _____
 12 Bike, Qty: _____ 24 Bike, Qty: _____

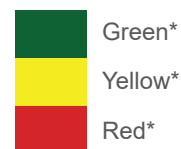
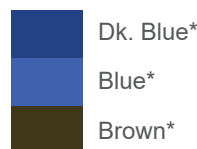
» POWDER COAT COLOR OPTIONS:

- Black
 Gray
 Custom Color*: _____

CONTRACTOR / CUSTOMER:

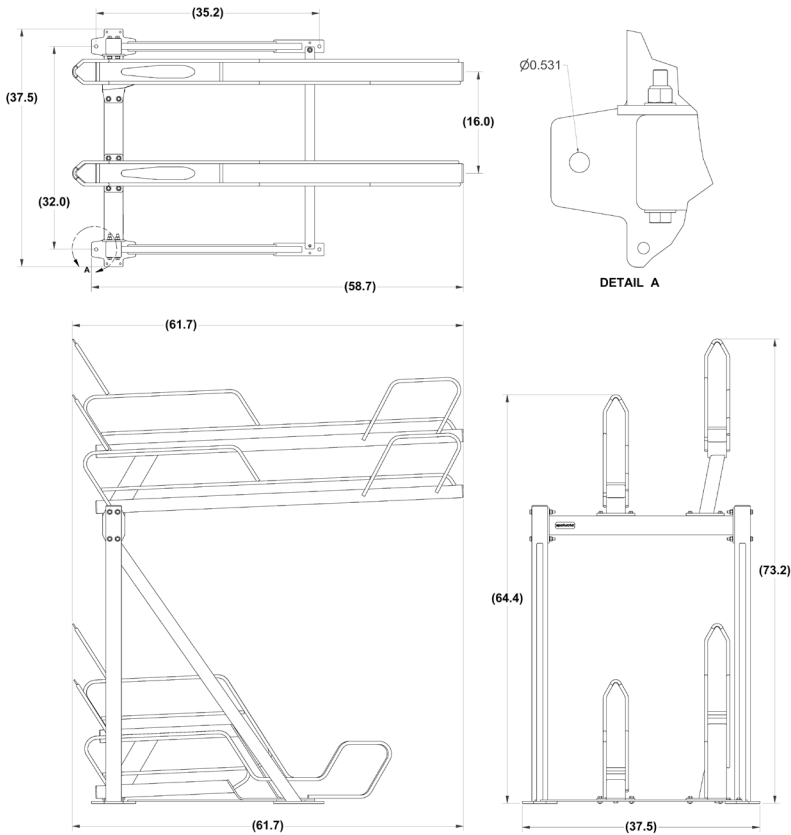
PROJECT:

NOTES:



* Custom colors are additional cost and longer lead time.

» DIMENSIONS: 4-POSITION SINGLE-SIDED¹



» ELEVATION VIEW: DOUBLE-SIDED



» DIMENSIONS AND WEIGHT²

Module	Width	Height	Length	Weight	
SINGLE-SIDED	Base, 4 Bike	37.5	73.2	61.7	177
	Base, 8 Bike	69.5			292
	Base, 12 Bike	101.5			390
	Extension, 4 Bike	33.5			147
	Extension, 6 Bike	53.5			204
	Extension, 8 Bike	65.5			262
	Extension, 12 Bike	97.5			361
DOUBLE-SIDED	Base, 8 Bike	37.5	73.2	110.5	299
	Base, 16 Bike	69.5			510
	Base, 24 Bike	101.5			751
	Extension, 8 Bike	33.5			256
	Extension, 12 Bike	53.5			365
	Extension, 16 Bike	65.5			467
	Extension, 24 Bike	97.5			678

» SPACING AND SETBACKS³

Ceiling Height: 105" minimum; 108" recommended
Loading Aisle Clearance: 54" minimum; 72" recommended



Base modules can be used independently or with extension modules to accommodate an unlimited number of bikes



Fast and easy installation



16 inch spacing between bikes; optimizes clearance to prevent handlebar and pedal interference while maximizing density



Made in USA - Washington State

Terrace™

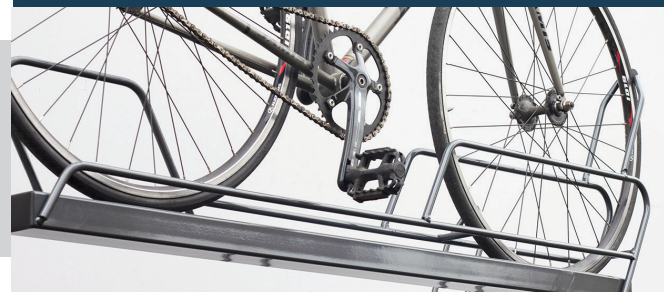
High Density Bike Parking System

¹ Refer to the technical drawing document for additional models

² All dimensions are in inches; weight in pounds (lbs)

³ Refer to the space use document for complete recommendations

Features and specifications are subject to change without notice.
Copyright © 2022 Sportworks Global LLC. All rights reserved.



sportworks®

sportworks.com