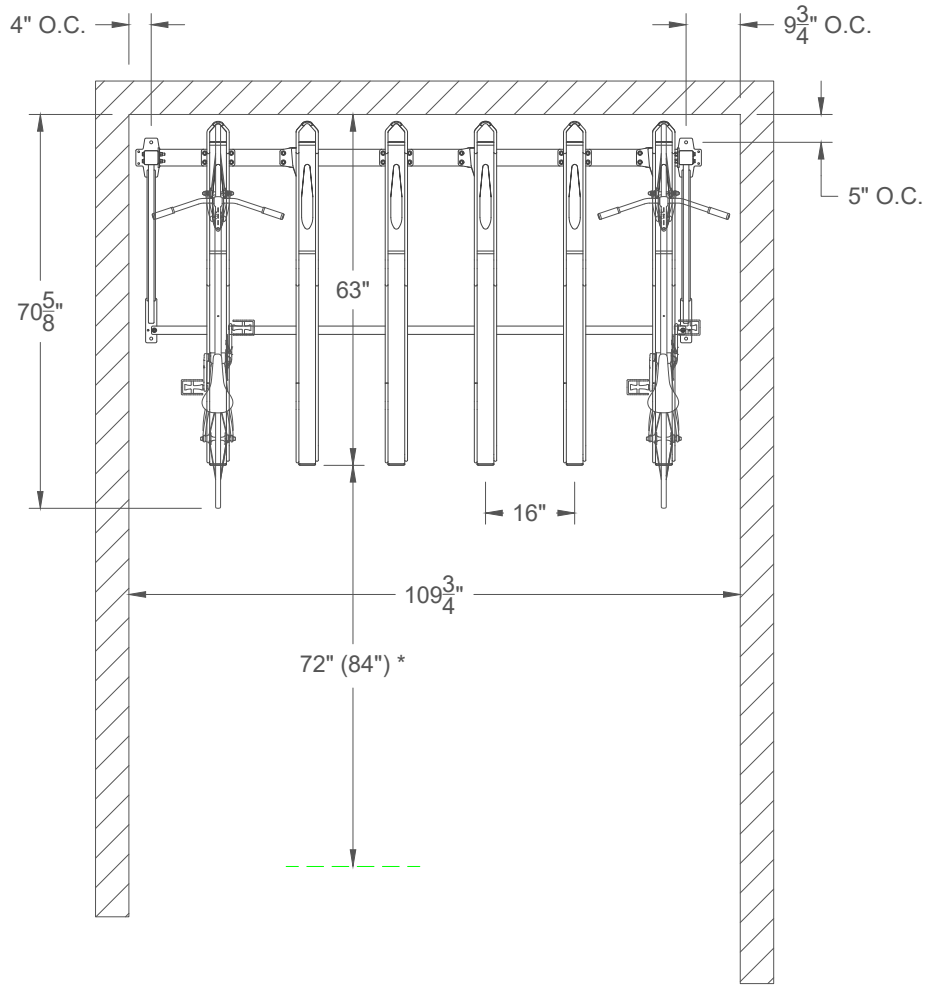


Dimensional format shown: Minimum (Recommended)
All dimensions are in inches.



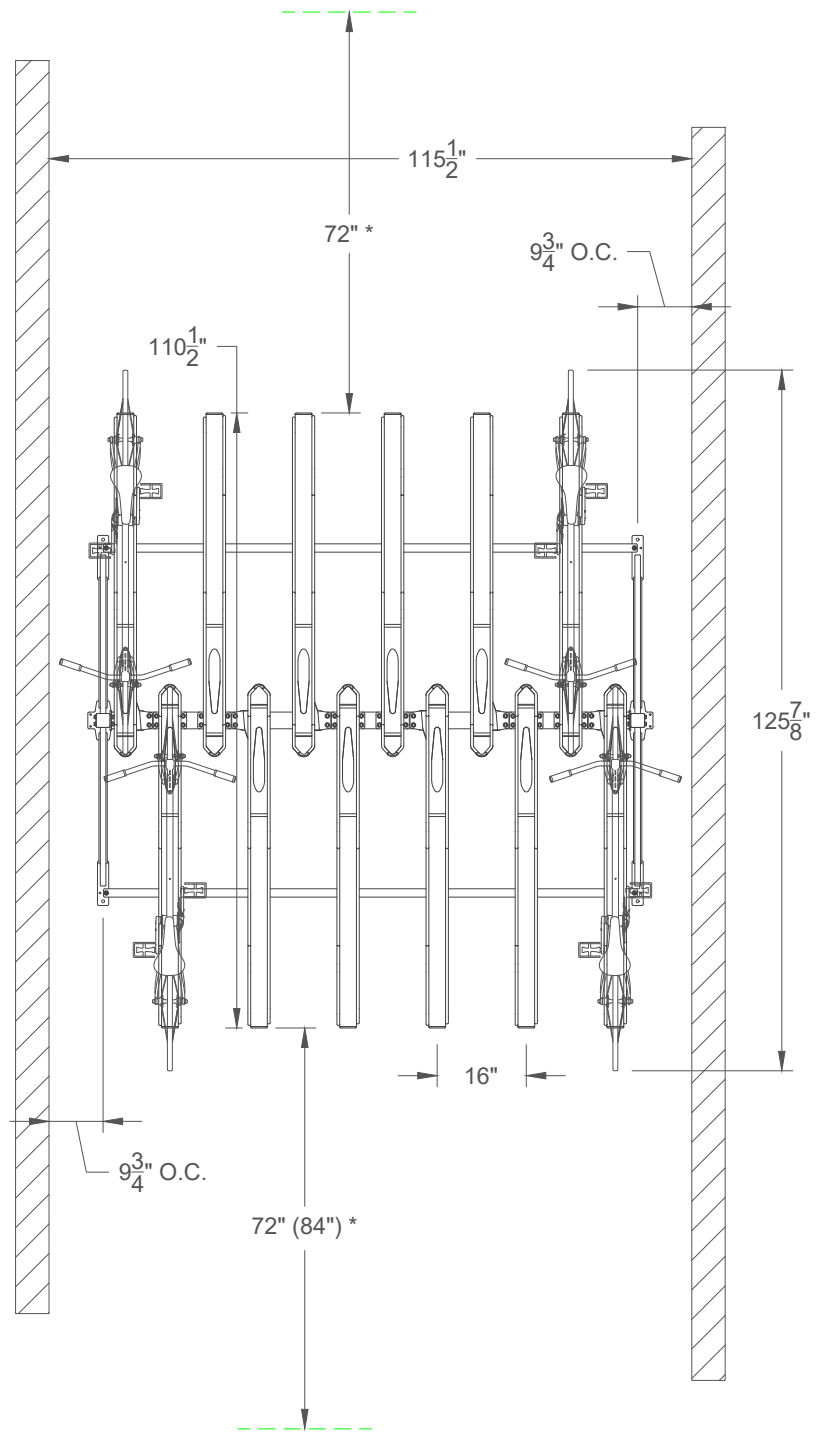
* Recommended bike loading
clearance

Ceiling Height:
105" (108")

For single-sided systems:
Room width in inches = bike count x 8 + 13.75

Rack shown:
TR-16B-SS-12-MS(-0000)-001
Capacity: 12 bikes

Dimensional format shown: Minimum (Recommended)
All dimensions are in inches.



* Recommended bike loading
clearance

Ceiling Height:
105" (108")

For double-sided systems:
Room width in inches = bike count x 4 + 19.5

Rack shown:
TR-16B-DS-24-MS(-0000)-001
Capacity: 24 bikes