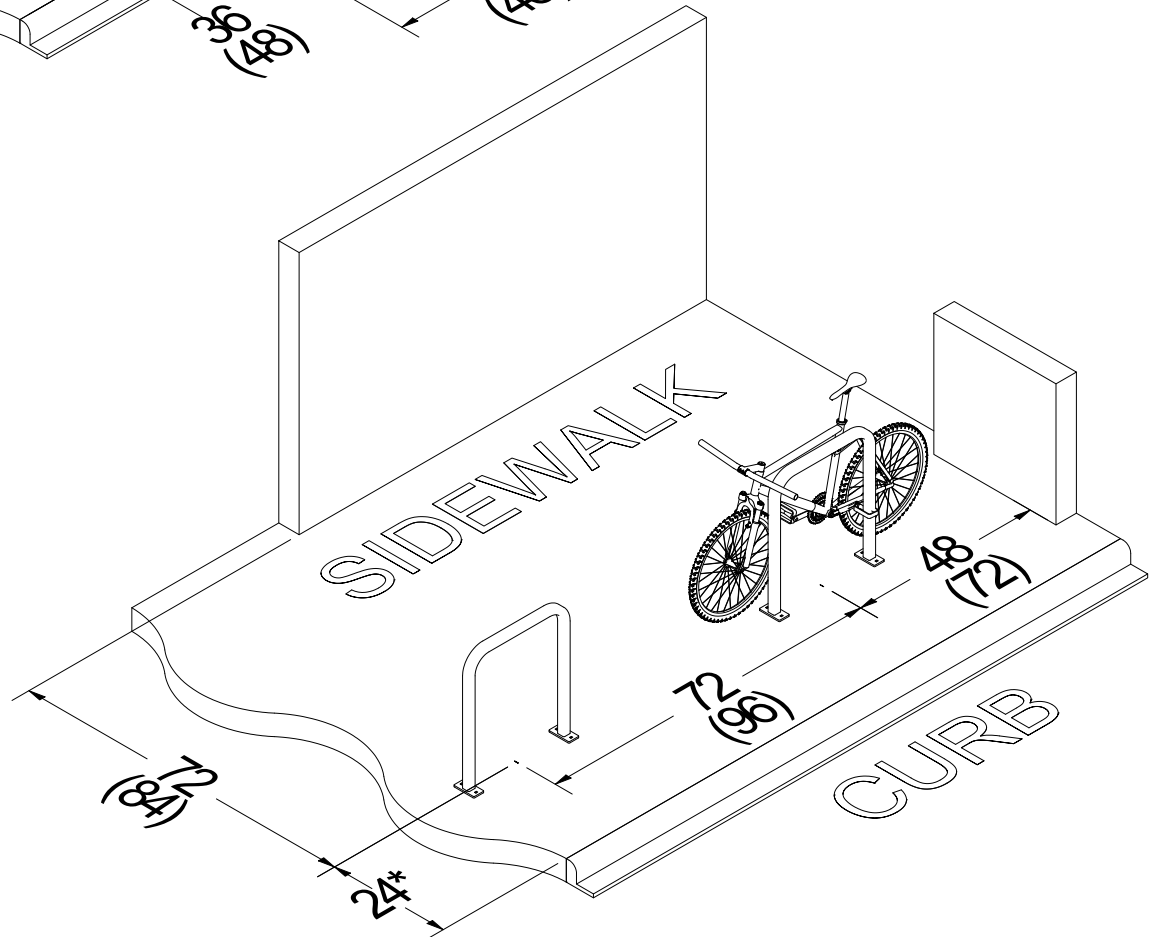
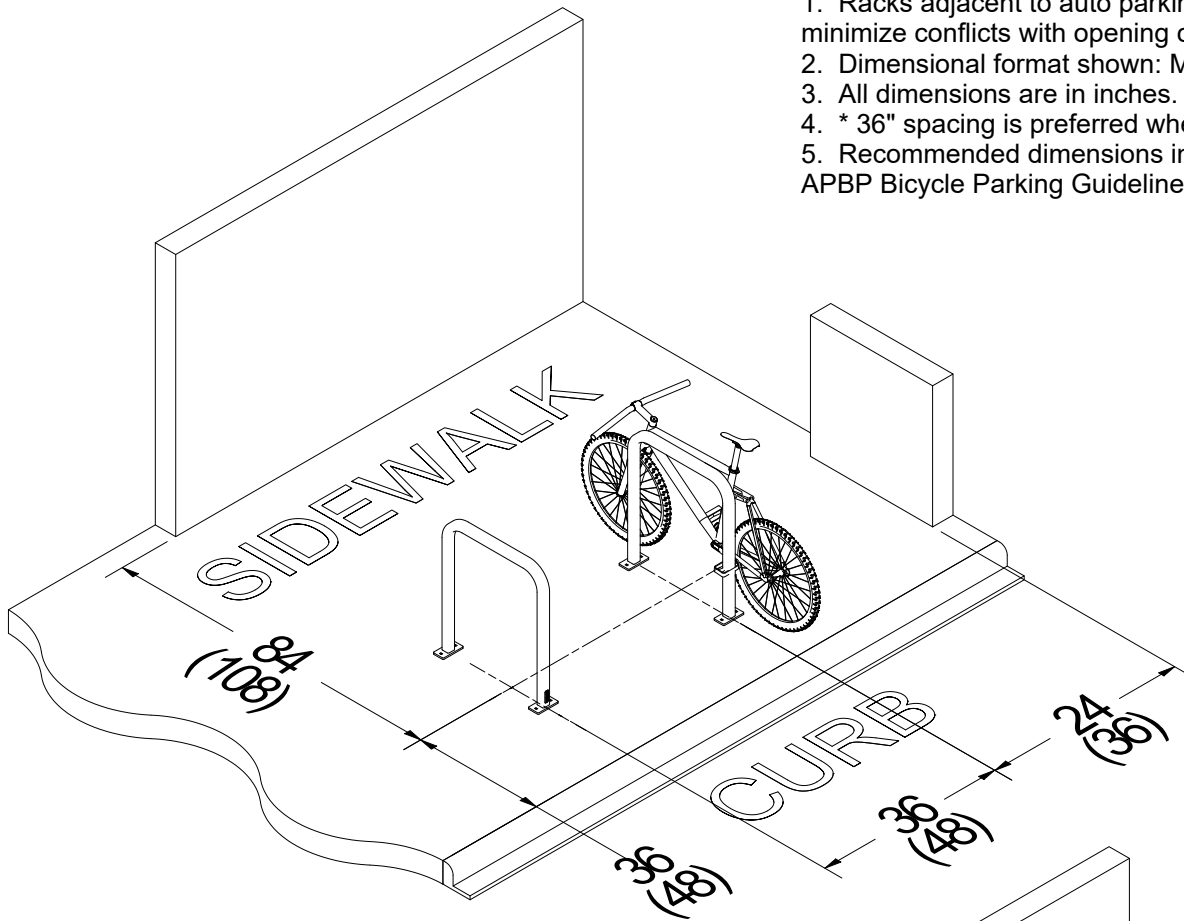


NOTES:

1. Racks adjacent to auto parking should be located so as to minimize conflicts with opening car doors.
2. Dimensional format shown: Minimum (Recommended).
3. All dimensions are in inches.
4. * 36" spacing is preferred when adjacent to auto parking.
5. Recommended dimensions in compliance with the 2010 APBP Bicycle Parking Guidelines, 2nd Edition.



NOTES:

1. Dimensional format shown: Minimum (Recommended).
2. All dimensions are in inches.

