



Square Tube Inverted-U Wide Rack

Capacity: 2 Warranty: 1 Year

- » Square tubing resists pipe cutters, providing higher security than round tubing
- » U-Lock compatible
- » Custom Colors Available
- » APBP compliant

Product Specifications

Materials:

- » Stainless Steel or Mild Steel
 - » 2" Square Tubing
 - » Mounting Feet: 0.375" flat bar

Finishing Options:

- Stainless Steel Bead Blast Satin (recommended)
- Stainless Steel Powder Coat
- Stainless Steel Thermoplastic (Plascoat)
- Mild Steel Hot Dipped Galvanized
- Mild Steel Powder Coat
- Mild Steel Thermoplastic (Plascoat)

Mounting Options:

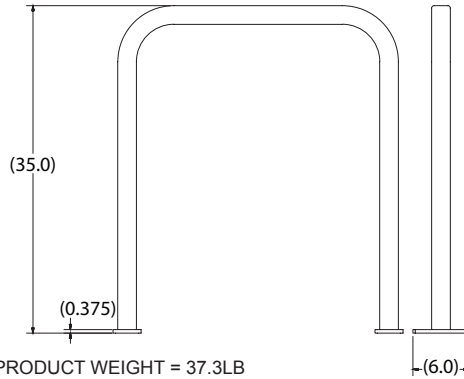
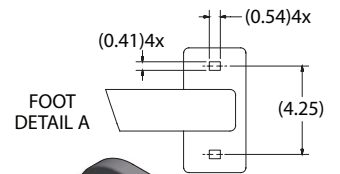
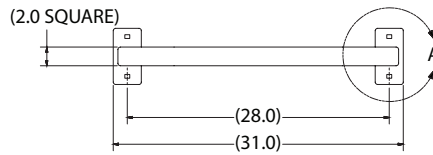
- Surface Mount: 3" x 6" flat bar foot
- Embedded In-Ground Mount into concrete footing
- Mounting Rails - Bolted to two aluminum mounting rails - see website for configurations:

www.sportworks.com/product/mounting-rails

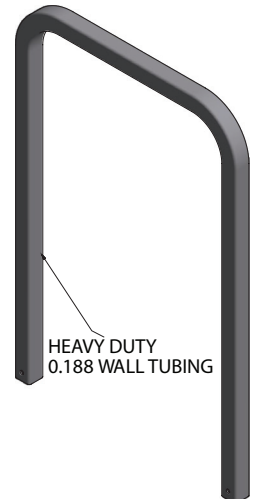
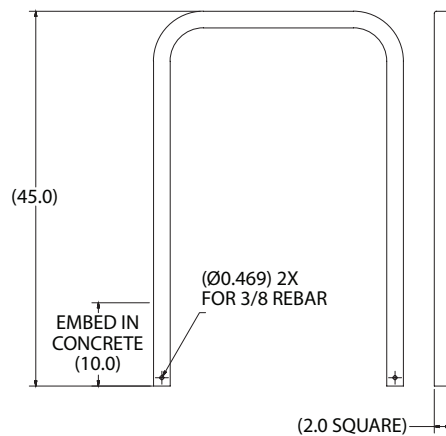
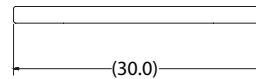
Hardware Options:

- Concrete Wedge Anchors (standard)
 - + Tamper Resistant Nuts (recommended)
- *For other hardware options contact our sales and support staff.

Surface Mount Dimensions



Embedded Mount Dimensions

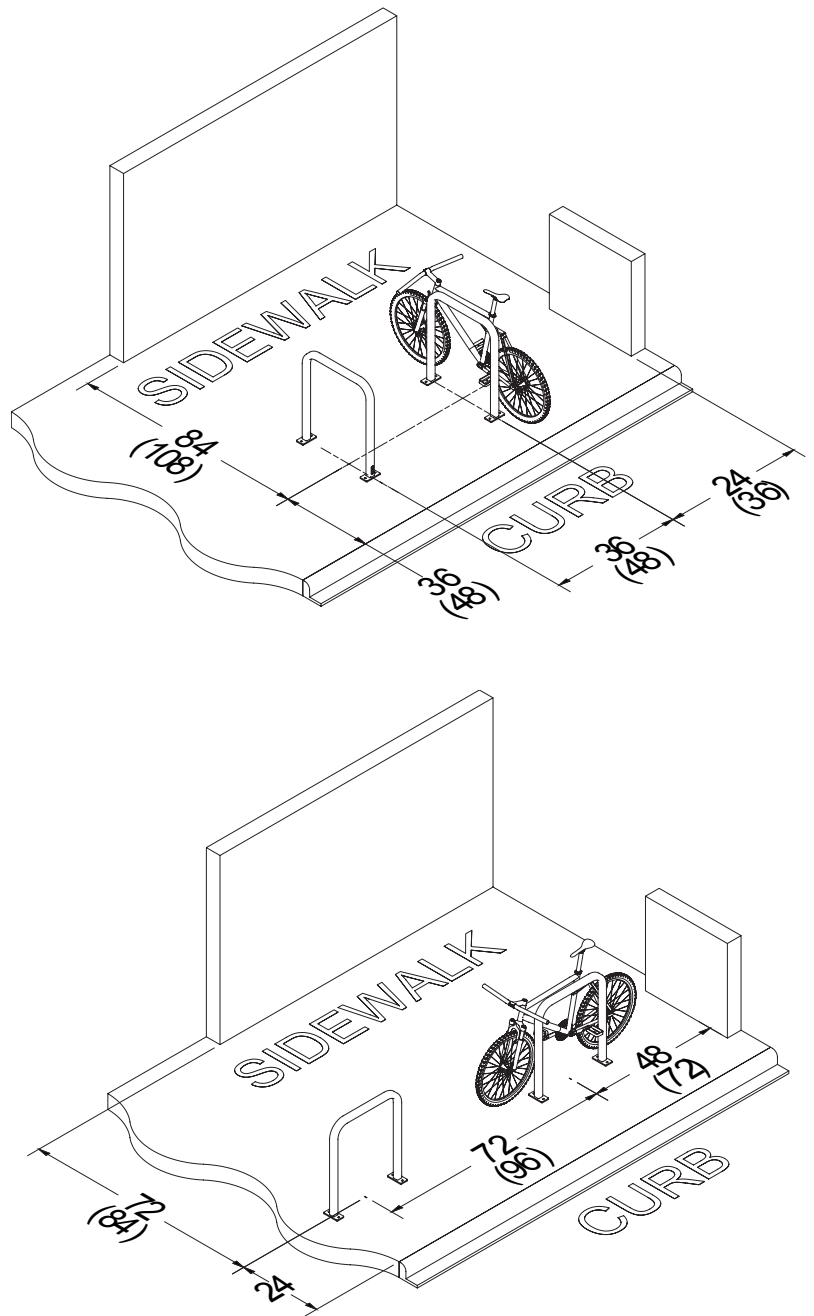
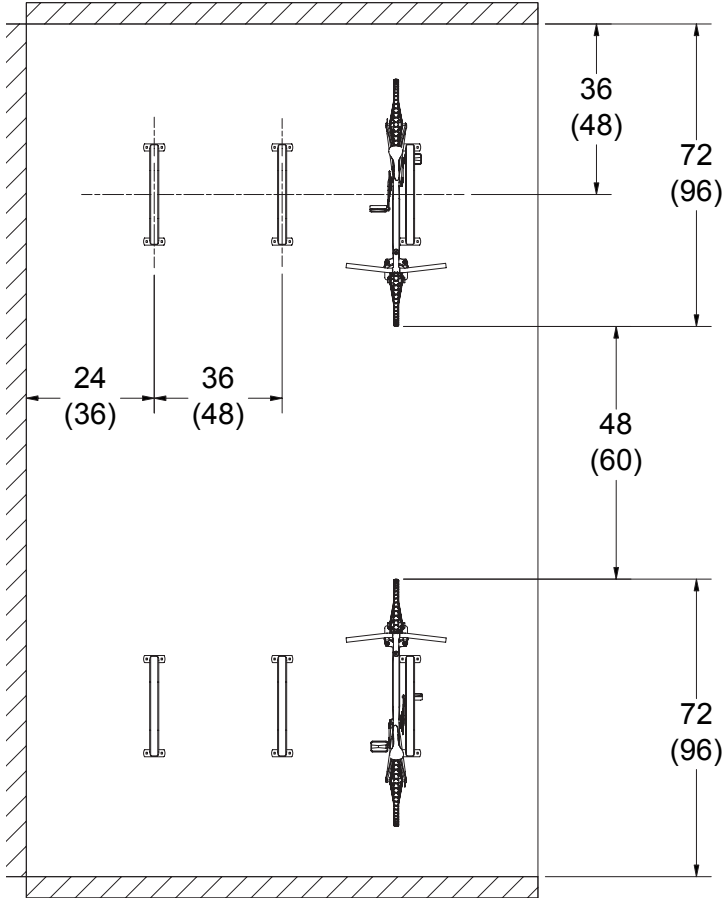


* All dimensions are in inches

Spacing and Setbacks

*Many local governments will specify minimum spacing and setback requirements

**All dimensional drawings are in inches. Minimum dimensions are placed above the recommended dimensions. Recommended dimensions are in ().



Powder Coat Options:

*All colors are available in both Powder Coat and Thermoplastic (Plascoat) except for Dark Blue. Dark Blue is only available as a powder coat color.

White	Silver	Black	*Dark Blue	Royal Blue	DOT Green	Brown	Yellow	Red
-------	--------	-------	------------	------------	-----------	-------	--------	-----

Contractor: _____

Job: _____

Notes: _____

Contact Information:

888-661-0555
sales@sportworks.com
www.sportworks.com

15540 Woodinville Redmond Rd
 NE, Bldg A-200,
 Woodinville, WA 98072

