



- Streamlined, modern design
- Superior durability
- Vandal-resistant square tubing
- 2 bicycle per rack capacity
- Wheel and frame lockable; Compatible with various locks including U-locks
- Indoor or outdoor installation
- Versatile design can accommodate virtually any bicycle or scooter
- Made in USA

Circular Bike Rack



» MATERIAL AND FINISH OPTIONS:

- Mild Steel, Qty: _____
- Hot Dipped Galvanized
- Powder Coat, Color: _____
- Thermoplastic (Plascoat®)**, Color: _____

» MOUNTING OPTIONS:

- Embedded Mount (in-ground into concrete footing)
- Surface Mount (0.375" x 2" x 6" flat bar foot)
 - Concrete Wedge Anchors
 - Asphalt Anchors
 - Add Tamper-resistant Nuts

Versatile Installation

Compatible with virtually all types of bike and scooters -- ideal for any interior or exterior location.







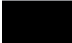
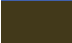

Vandal Resistant

U-lock compatible - to reduce theft. Rectangular tubing delivers durability and vandal resistance.

CONTRACTOR: _____

PROJECT: _____

NOTES: _____

	White		Dk. Blue**		Green
	Grey		Blue		Yellow
	Black		Brown		Red

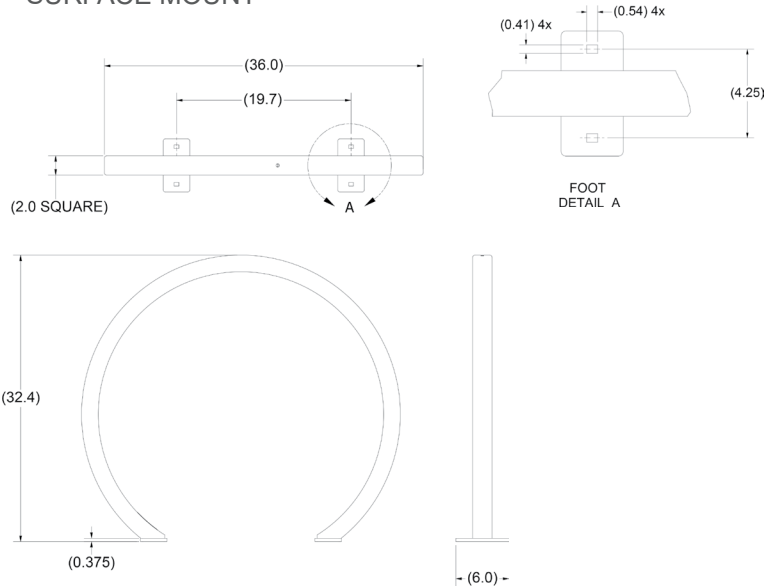
* Stainless steel powder coat is special order option (allow for additional lead time)

** Dark Blue not available in Plascoat

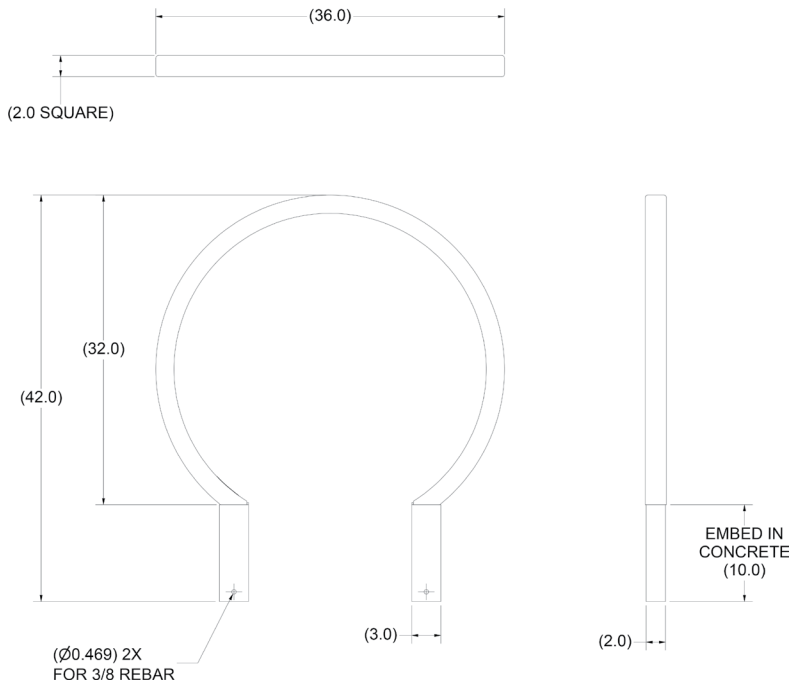
Plascoat is a registered trademark of Axalta Coating Systems, LLC and/or its affiliates

Specifications and Dimensions

» SURFACE MOUNT



» EMBEDDED MOUNT



» STANDARD SPECIFICATIONS

WEIGHT
Embedded: 39 lbs
Surface: 35.5 lbs

DIMENSIONS
Outer Tube: 2" x 2"



Secures up to 2 bicycles;
U-lock compatible



Fast and easy installation



Made in USA
Washington State

Circular Bike Rack

All measurements are in inches

Features and specifications are subject to change without notice.
Copyright © 2023 Sportworks Global LLC. All rights reserved.

sportworks[®]
sportworks.com

