



Two-tier Bike Parking

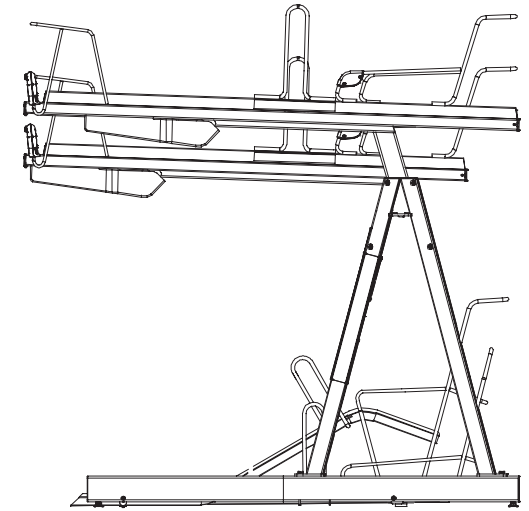
The CapaCITY is constructed with galvanized steel components yielding better price but slightly less performance than the Easylift Premium. The CapaCITY is a great choice for budget conscious projects. Designed for long-term and intensive use in both indoor and outdoor locations, the two-tier bicycle parking system allows cyclists to park their bikes even when space is at a premium. The all steel design is extremely durable, and provides adequate lift assist from the integrated gas springs. 30,000 bike spaces are sold worldwide annually and counting.



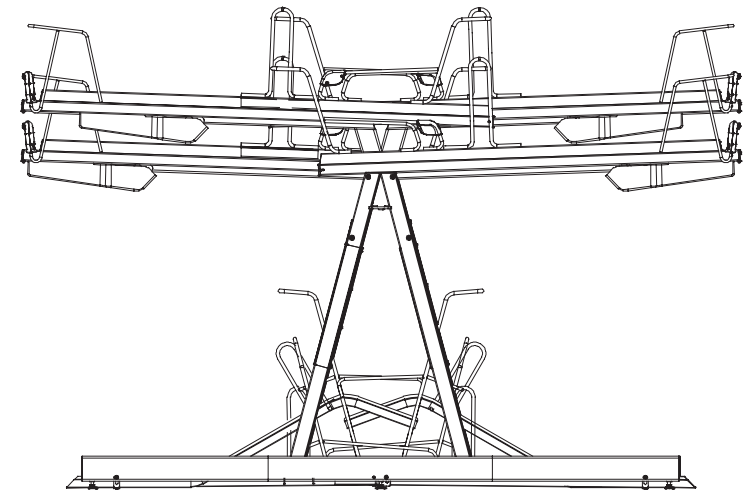
Key Benefits

- Extremely easy to use
- Lift-assisted upper trays
- Ergonomic non-slip handle
- Lowest tray loading position
- Easy bike loading
- Secure against theft and vandalism
- Stainless steel tamperproof hardware

- U-lock compatible
- Low maintenance
- Galvanized
- 1 Year Warranty
- 50 day lead time

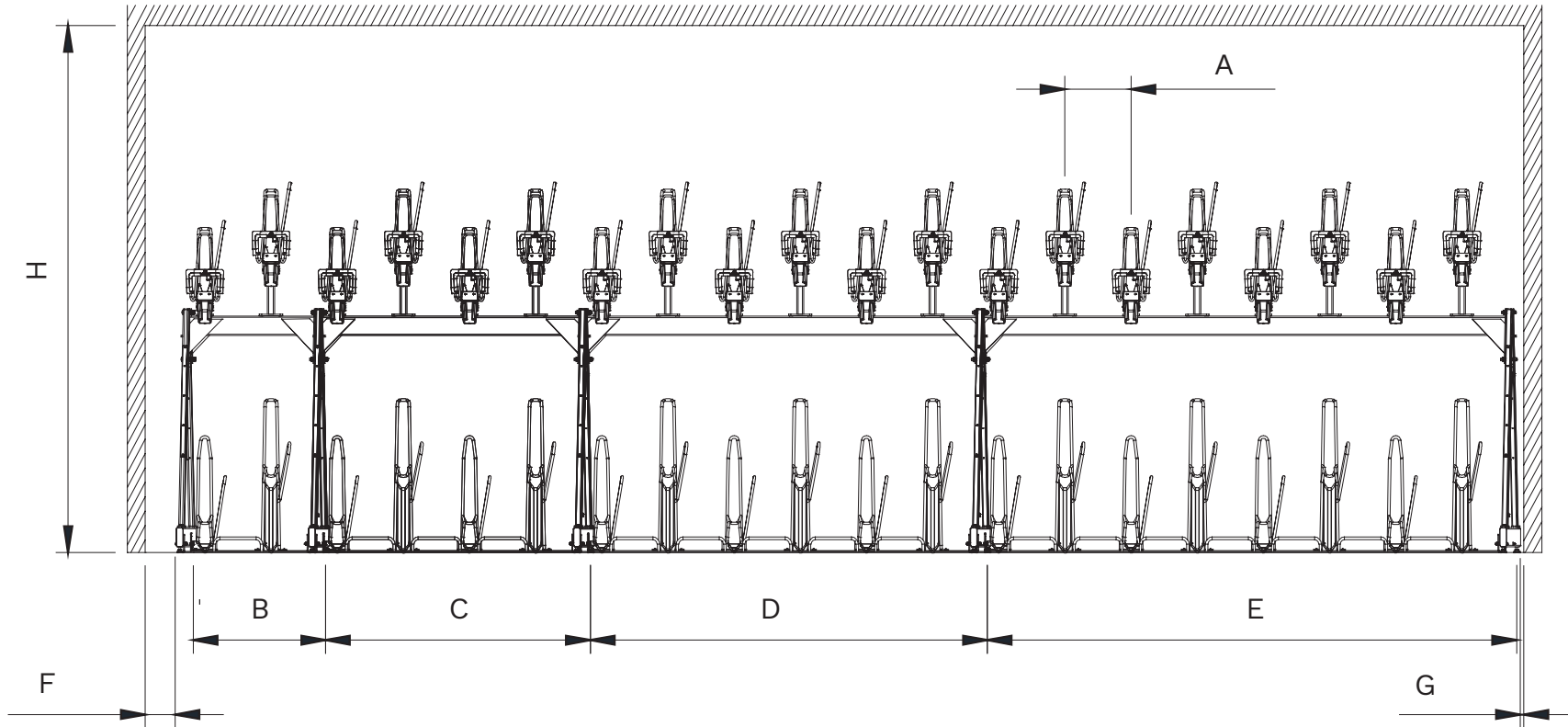


SINGLE SIDED



DOUBLE SIDED

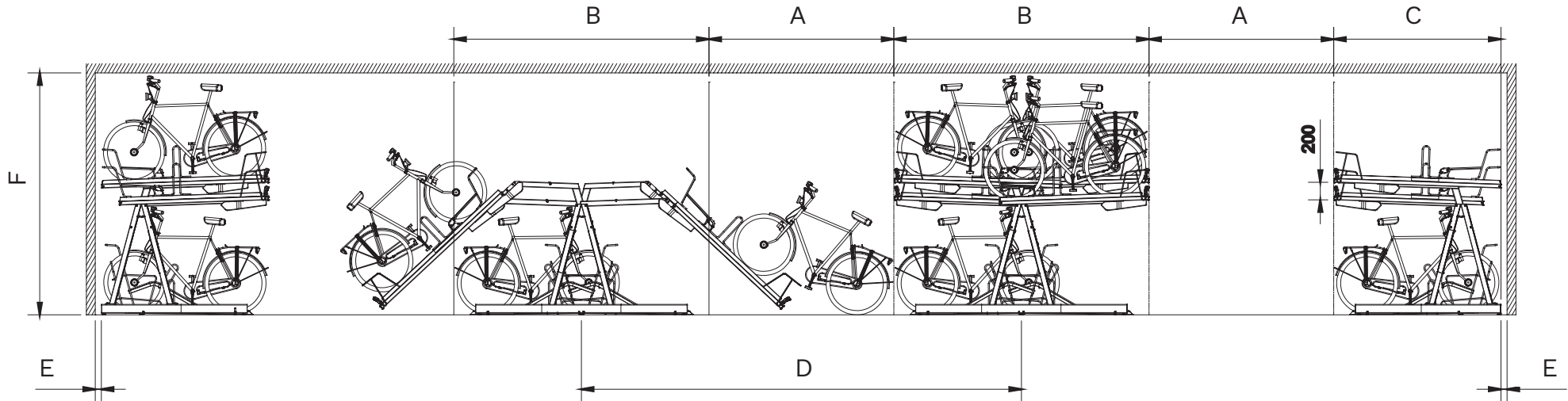
Dimensions and Clearances



	A		B		C		D		E		F		G		H-REC.		H-MIN.	
	US	Metric	US	Metric	US	Metric	US	Metric	US	Metric	US	Metric	US	Metric	US	Metric	US	Metric
15" SPACING	14.8"	375	29.5"	750	59.1"	1500	88.6"	2250	118.2"	3000	6.7"	170	.78"	20	108.3"	2750	105"	2667
16" SPACING	15.7"	400	31.5"	800	63"	1600	94.5"	2400	125.9"	3200	6.7"	170	.78"	20	108.3"	2750	105"	2667
18" SPACING	17.7"	450	35.4"	900	70.9"	1800	106.3"	2700	141.7"	3600	6.7"	170	.78"	20	108.3"	2750	105"	2667

ALL METRIC DIMENSIONS IN MM

Dimensions and Clearances



A-REC.		A-MIN.		B		C		D-REC		D-MIN		E		F-REC.		F-MIN.	
US	Metric	US	Metric	US	Metric	US	Metric	US	Metric	US	Metric	US	Metric	US	Metric	US	Metric
82.7"	2100	59"	1500	114.2"	2900	74.8"	1900	196.8"	5000	173.2"	4400	.78"	20	108.3"	2750	105"	2667

ALL METRIC DIMENSIONS IN MM