

MOBILITY HUB Assembly Instructions

TOOLS NEEDED

Pneumatic Hammer Drill(s)
Impact Wrenches (1/2" drive recommended)
3/8" and 1/2" Drill Bits (for asphalt; size contingent upon site conditions)
1/2" Masonry Bits (for concrete)

15/16" Deep Well Impact Socket (for attaching delineator mounts to posts)
3/4" Socket (for installing anchors)
7/16" Socket (for attaching delineators to mounts)
Tape Measure and Chalk Line
Air Hose



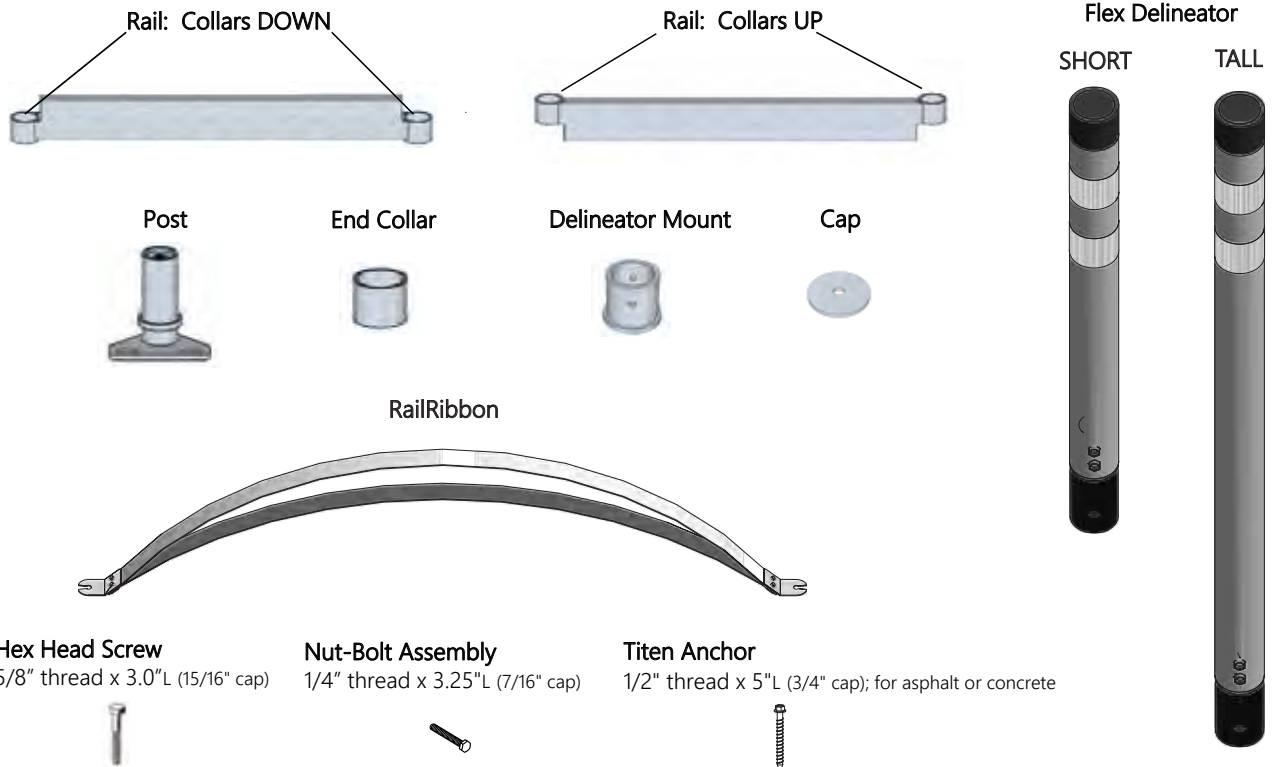
Check with Public Works to confirm acceptable standards for anchoring permanent or temporary structures to roadway surfaces.

Refer to specific site plans to properly place the BIKERAIL™ system.

Before installation: For best results, use chalk or chalk line to mark all desired Rail locations (e.g., start/stop points, angles, positioning within buffer zone, etc.).

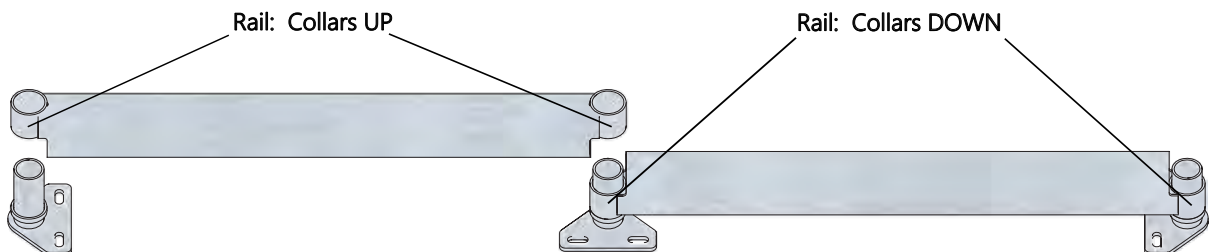
1 Familiarize yourself with the system components

All Rails have **Collars** which can be oriented either in the **DOWN** or **UP** position.



2 Lay out Rails and Posts

Position Rails and Posts in the general shape of the planned configuration. *Do not anchor Posts to the surface yet.*



MOBILITY HUB Assembly Instructions

3 Attach Rails to Posts

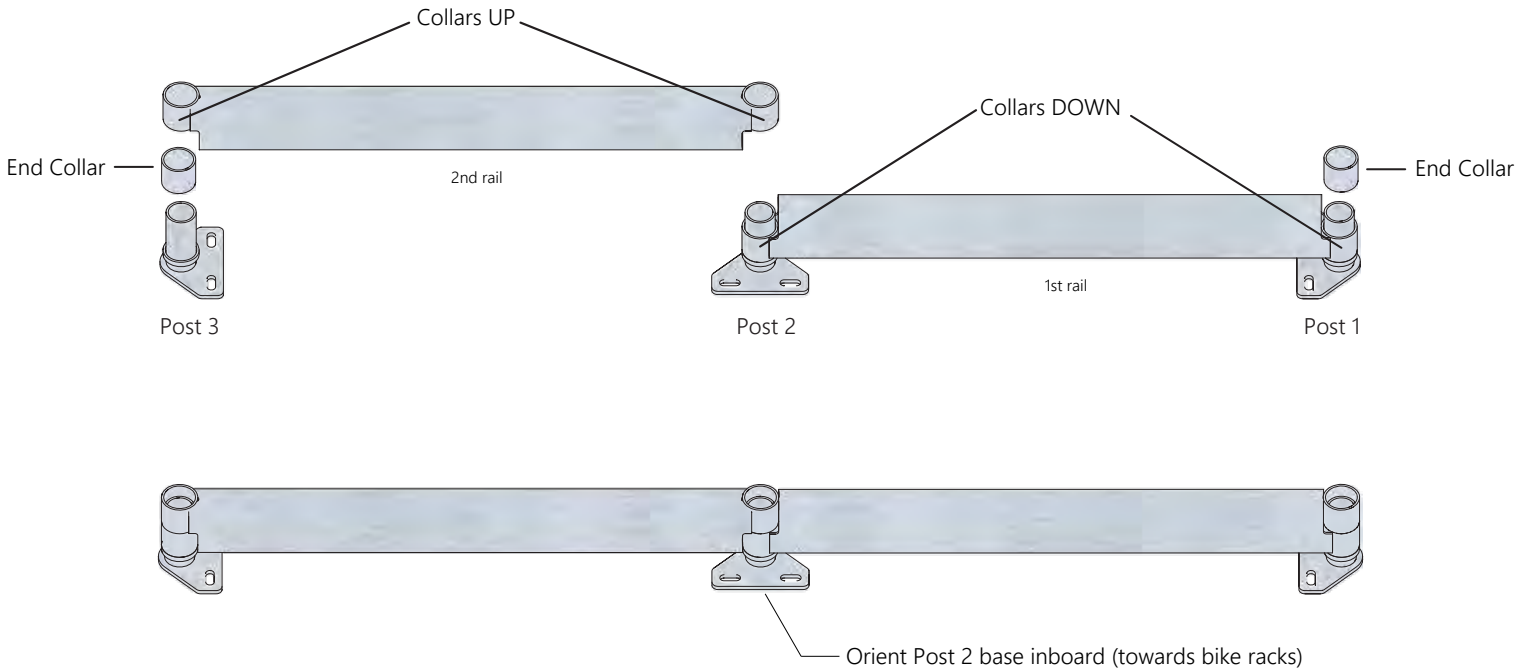
Slide the **first** Rail onto Posts #1 and #2 with Collars in the **DOWN** position.

Place End Collar on top of Rail's Collar on Post 1.

Place other End Collar on Post 3.

Slide the **second** Rail onto Posts #2 and #3 with Collars in the **UP** position.

This assembly also creates a hinge (at Post 2) so each Rail can swivel up to 180° if desired.



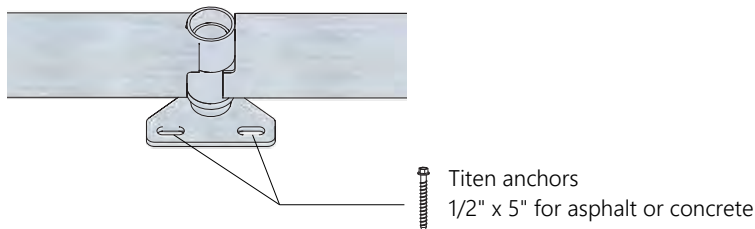
4 Anchor Posts to Surface

Confirm that the Rail assembly forms the required barrier shape and length, and that it is properly positioned.

Turn Posts so that bases (and their anchor holes) are oriented in the desired anchoring position.

Drill anchor holes (two per Post). Use air hose to remove dust from holes.

Anchor all Posts to the surface with Titen Anchors.



5 Attach Caps

For Posts not requiring a Flex Delineator, attach Caps to Posts using 5/8" x 3.0" Hex Head Screws.

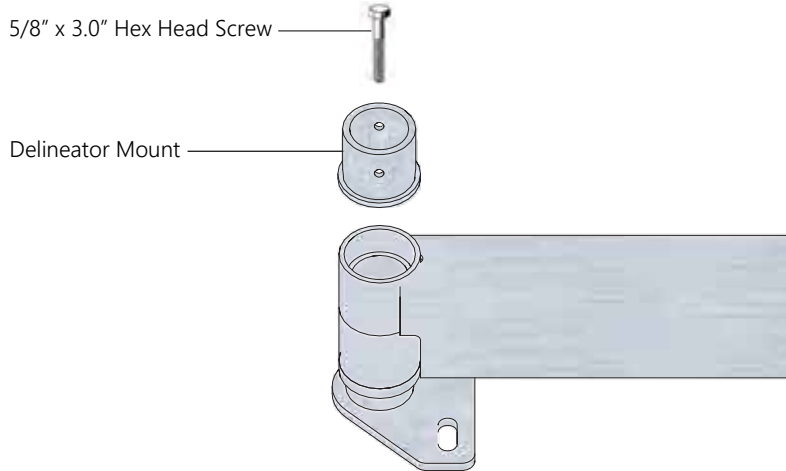


MOBILITY HUB Assembly Instructions

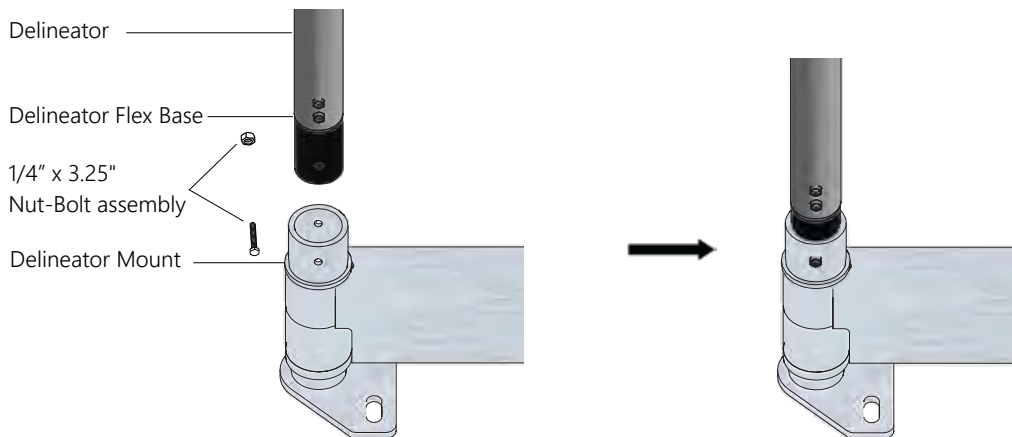
Adding Flex Delineators only (no RAILRIBBON)

6

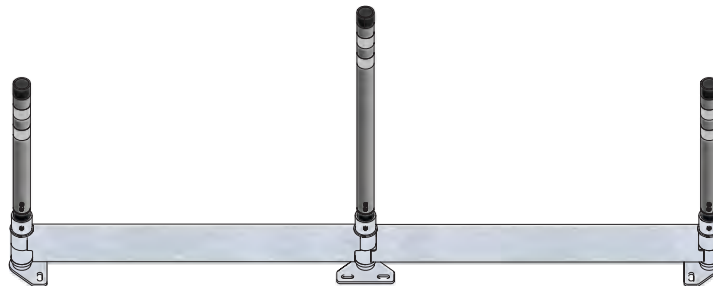
Using 5/8" x 3.0" Hex Head Screws, attach Delineator Mounts to all Posts receiving a Flex Delineator. Tighten.



With holes aligned, slide Delineator's flex base inside of Delineator Mount. Attach with 1/4" x 3.25" Nut and Bolt. Repeat on all Posts receiving a Flex Delineator.



Example: Flex Delineator layout for STANDARD KIT:

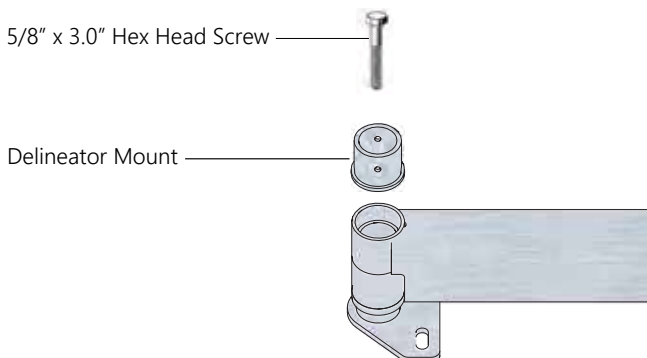


MOBILITY HUB Assembly Instructions

Adding Flex Delineators *and* RAILRIBBON™

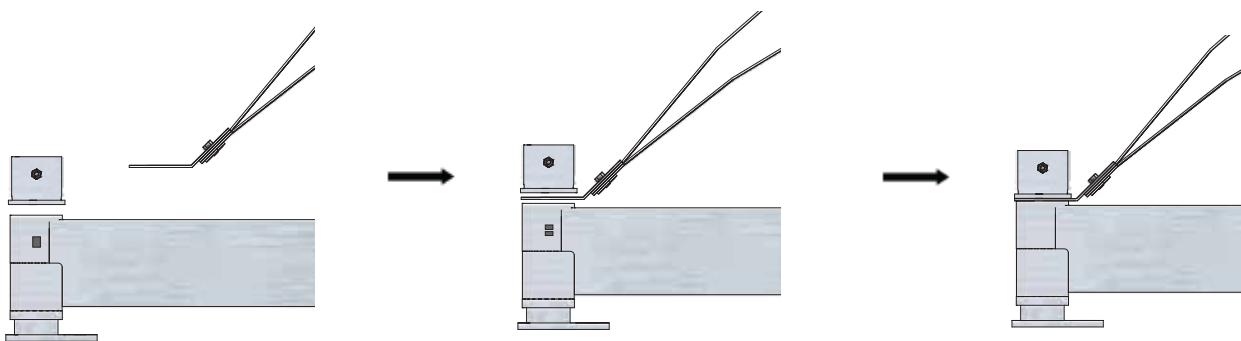
7

Using 5/8" x 3.0" Hex Head Screws, *loosely* attach Delineator Mounts to all Posts receiving a Flex Delineator.

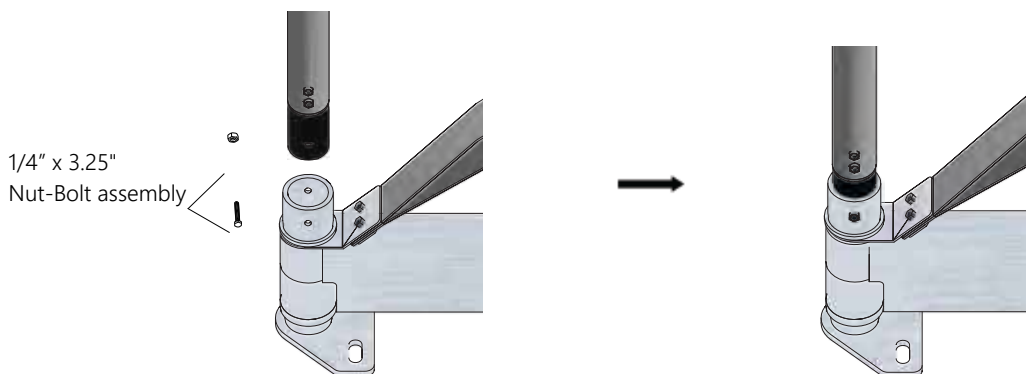


Slide RAILRIBBON Arc Brackets UNDER Delineator Mounts.

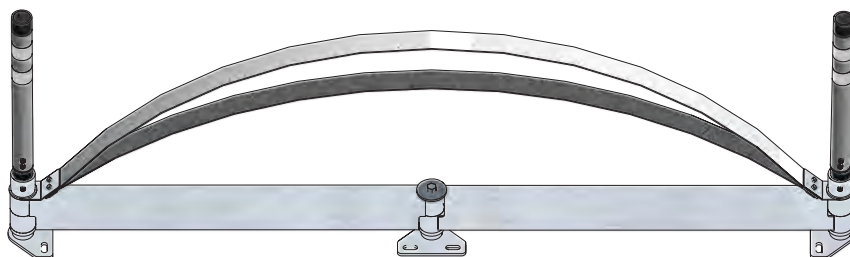
Tighten Hex Head Screws



With holes aligned, slide Delineator's flex base inside of Delineator Mount. Attach with 1/4" x 3.25" Nut and Bolt.



Example: Flex Delineators and RAILRIBBON layout for PREMIUM KIT:



MOBILITY HUB Assembly Instructions

8

Attach Caps to all Posts that are NOT receiving Flex Delineators or RAILRIBBON (use 5/8" x 3.0" Hex Head Screws).

